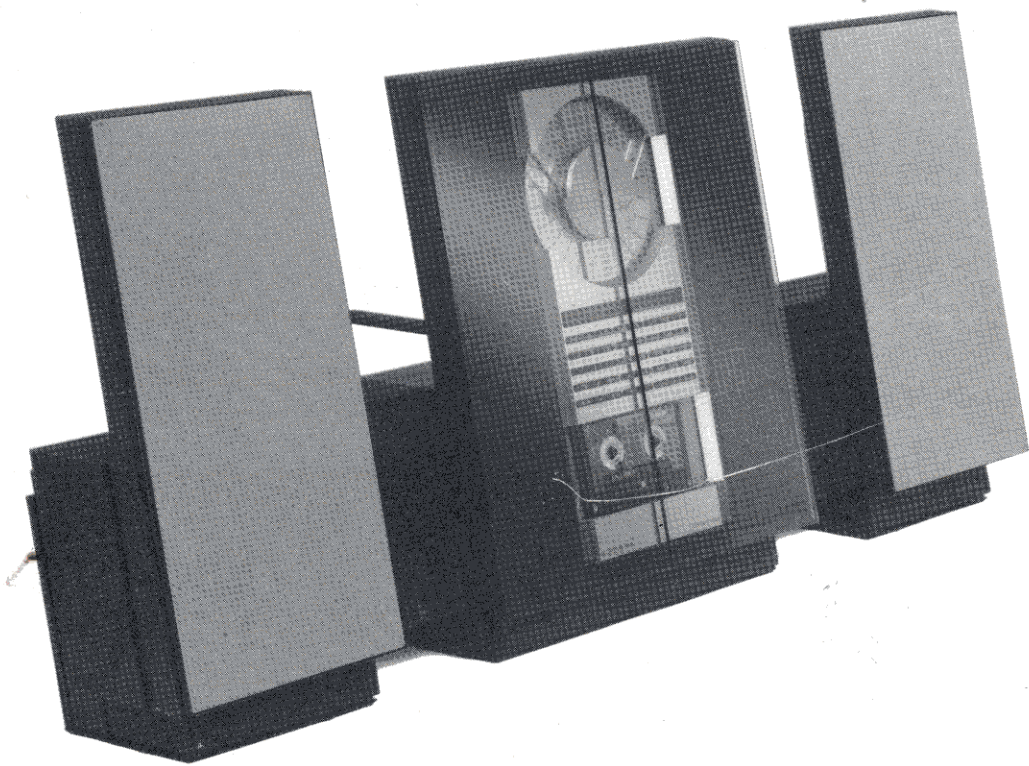




Description de Circuits



Beosystem 2500

Bang & Olufsen University

FM TUNER

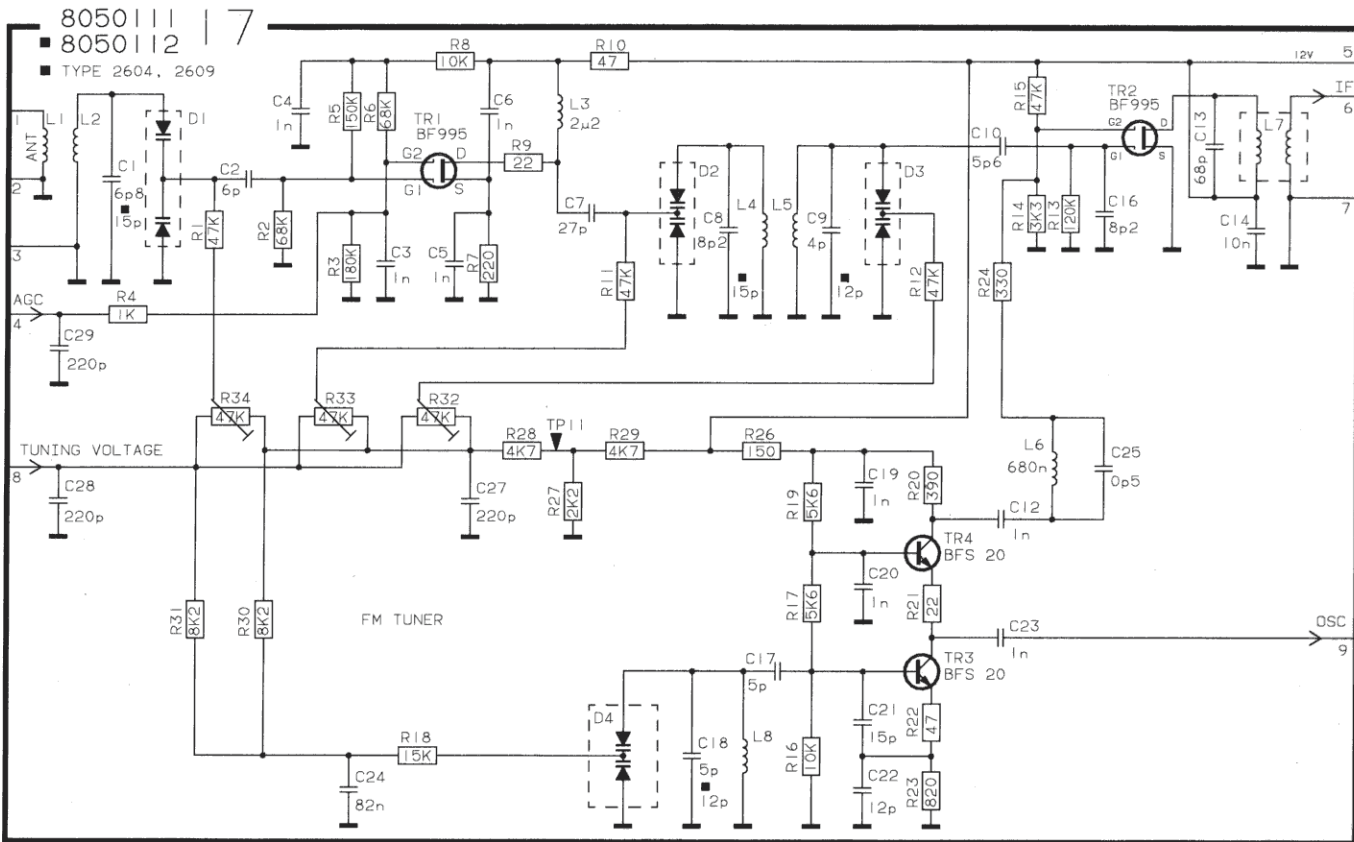


DIAGRAM A FM/AM, RF, IF decoder

800 286	FM/AM
800 334	FM/AM TYPE 2609
800 345	FM
800 347	FM TYPE 2604

= SMD COMPONENT

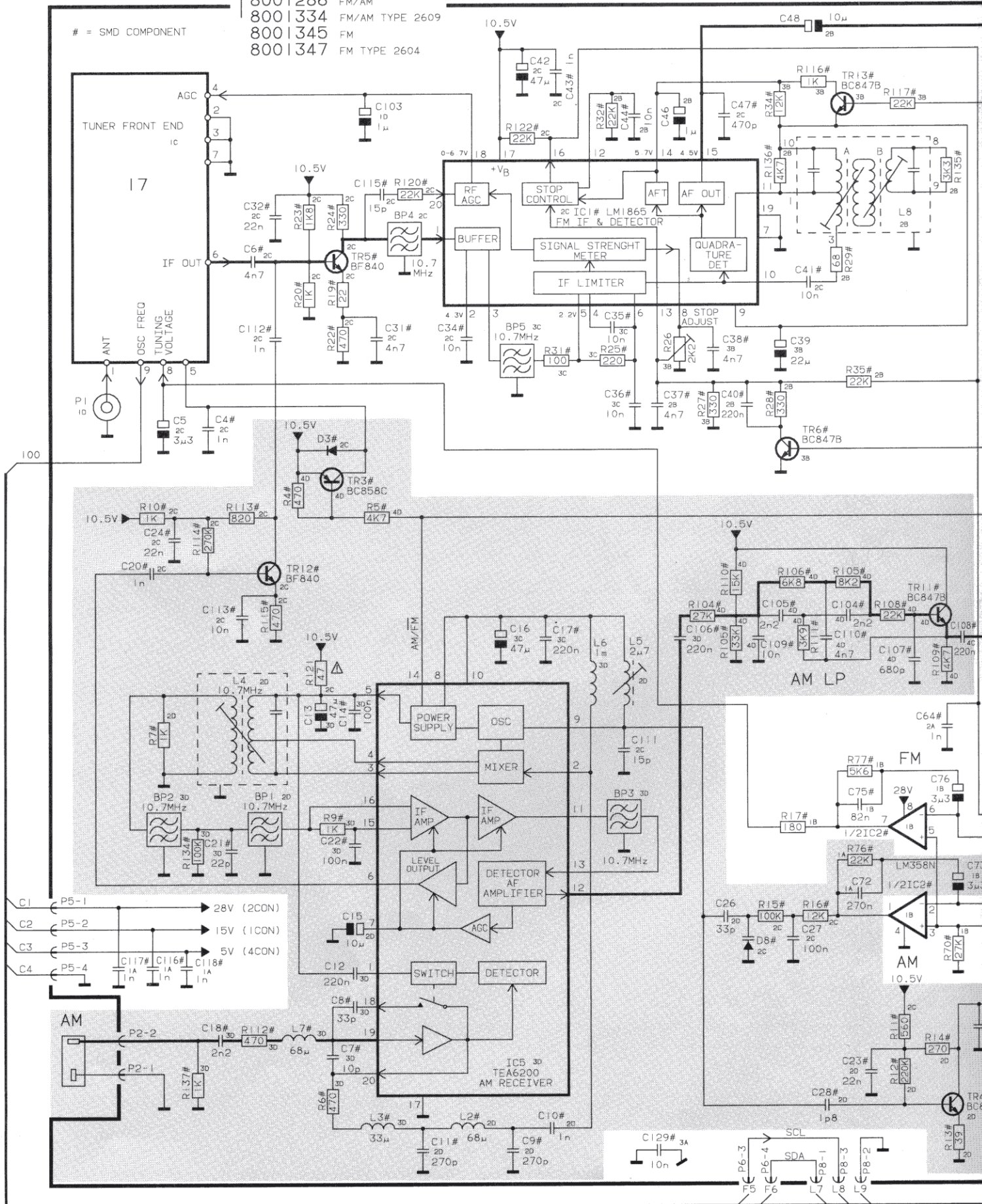
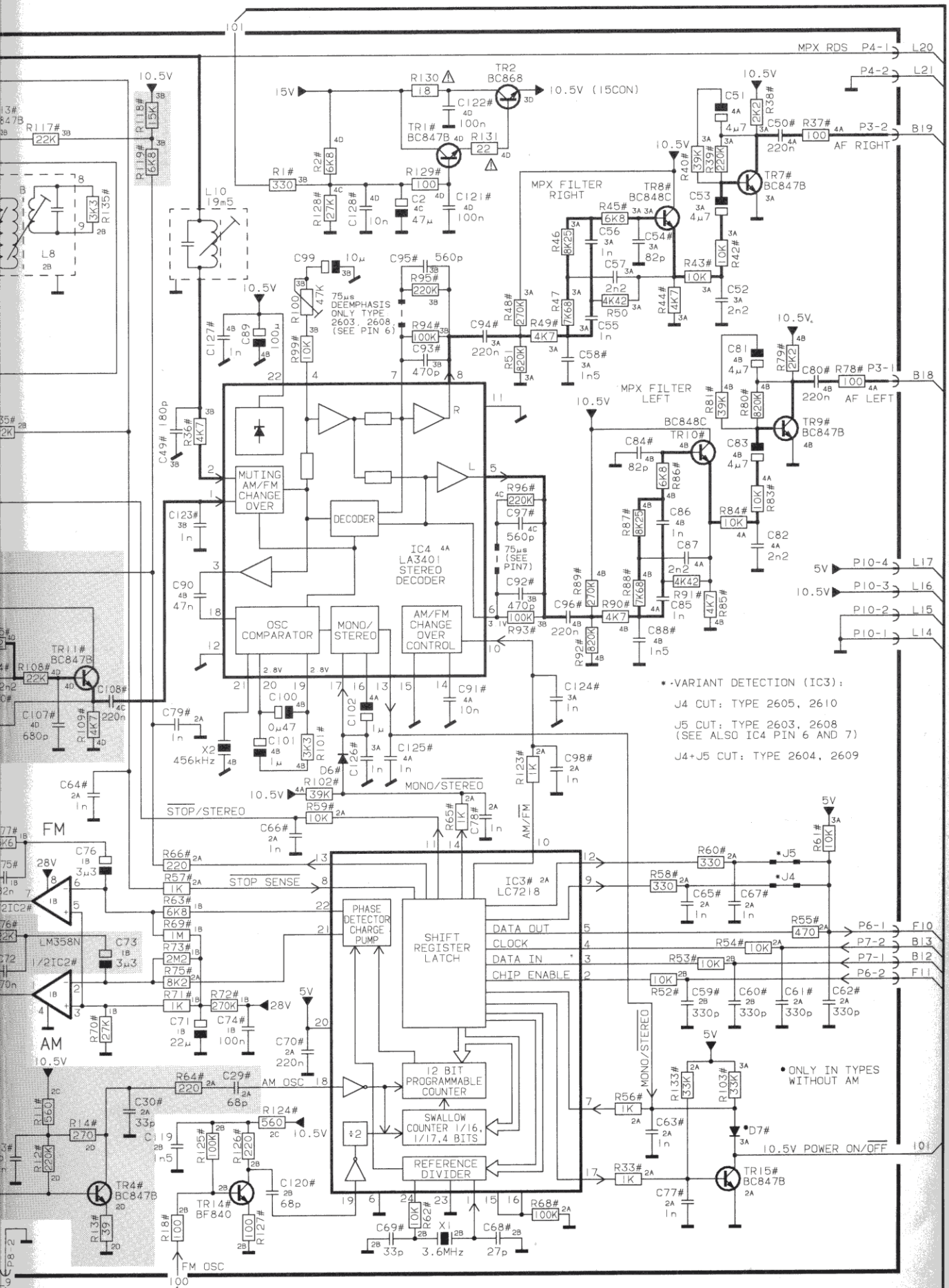


DIAGRAM A

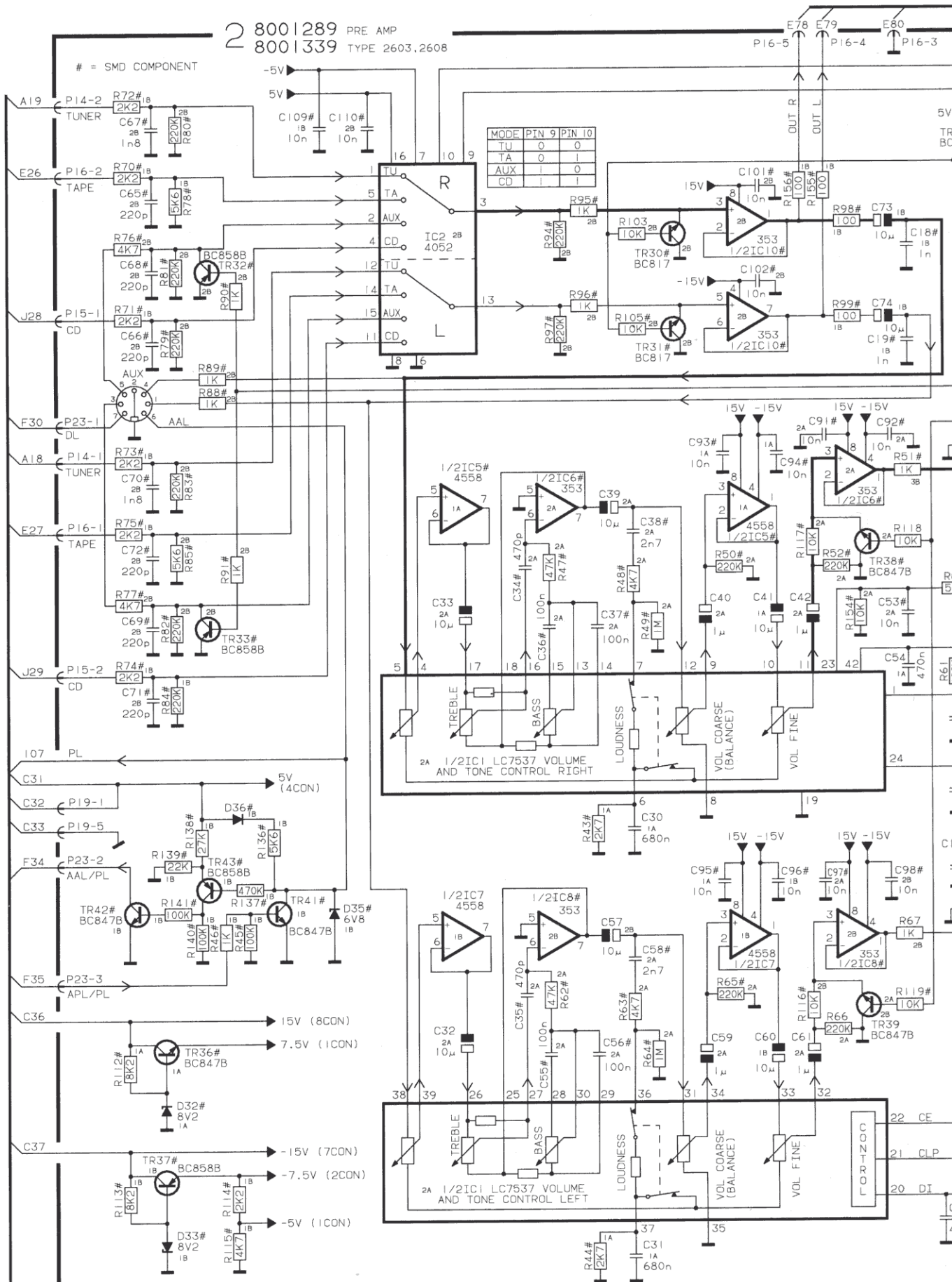


• VARIANT DETECTION (IC3):
 J4 CUT: TYPE 2605, 2610
 J5 CUT: TYPE 2603, 2608
 (SEE ALSO IC4 PIN 6 AND 7)
 J4+J5 CUT: TYPE 2604, 2609

• ONLY IN TYPES WITHOUT AM

DIAGRAM B PRE AMPLIFIER

2 8001289 PRE AMP
8001339 TYPE 2603,2608



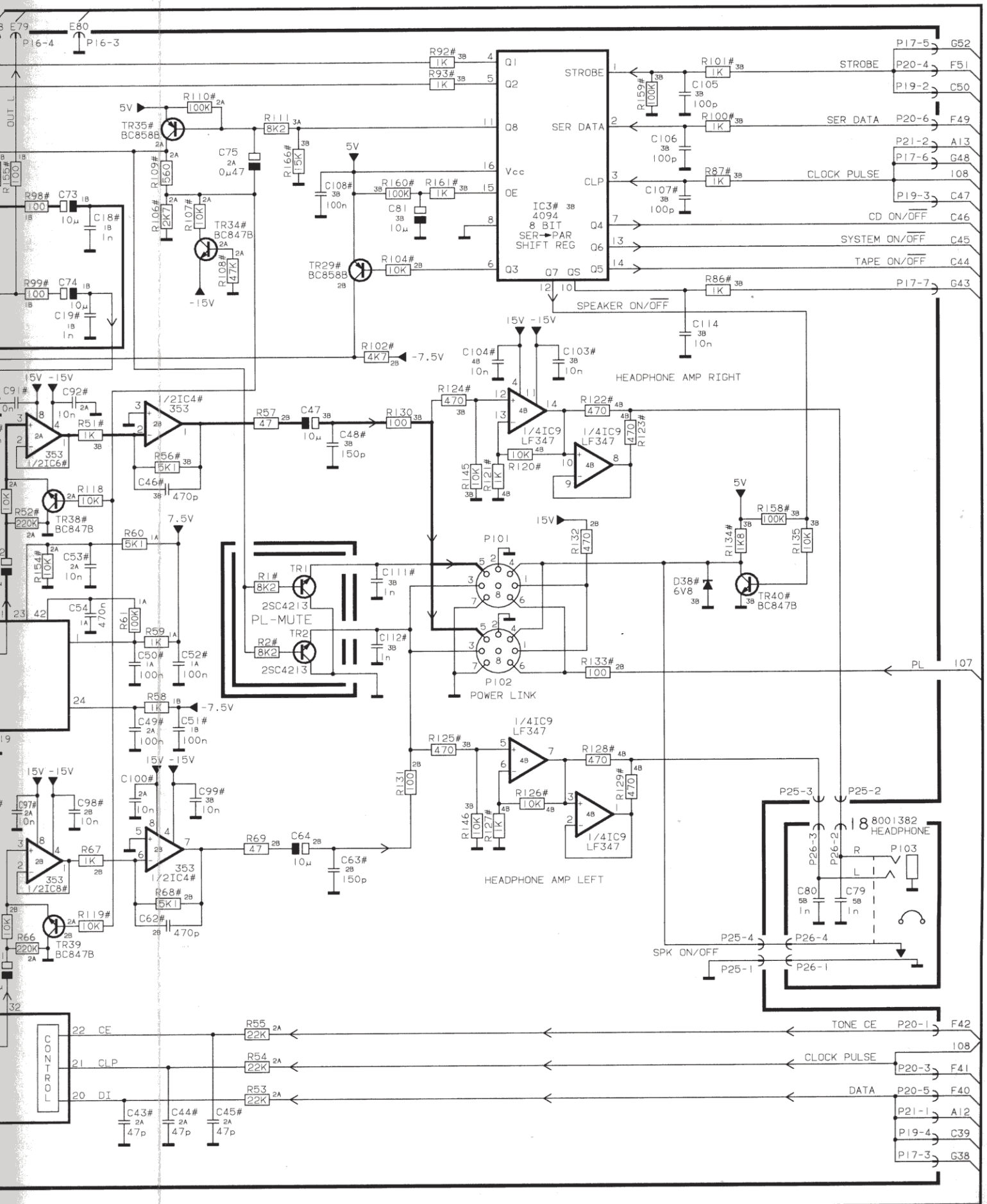
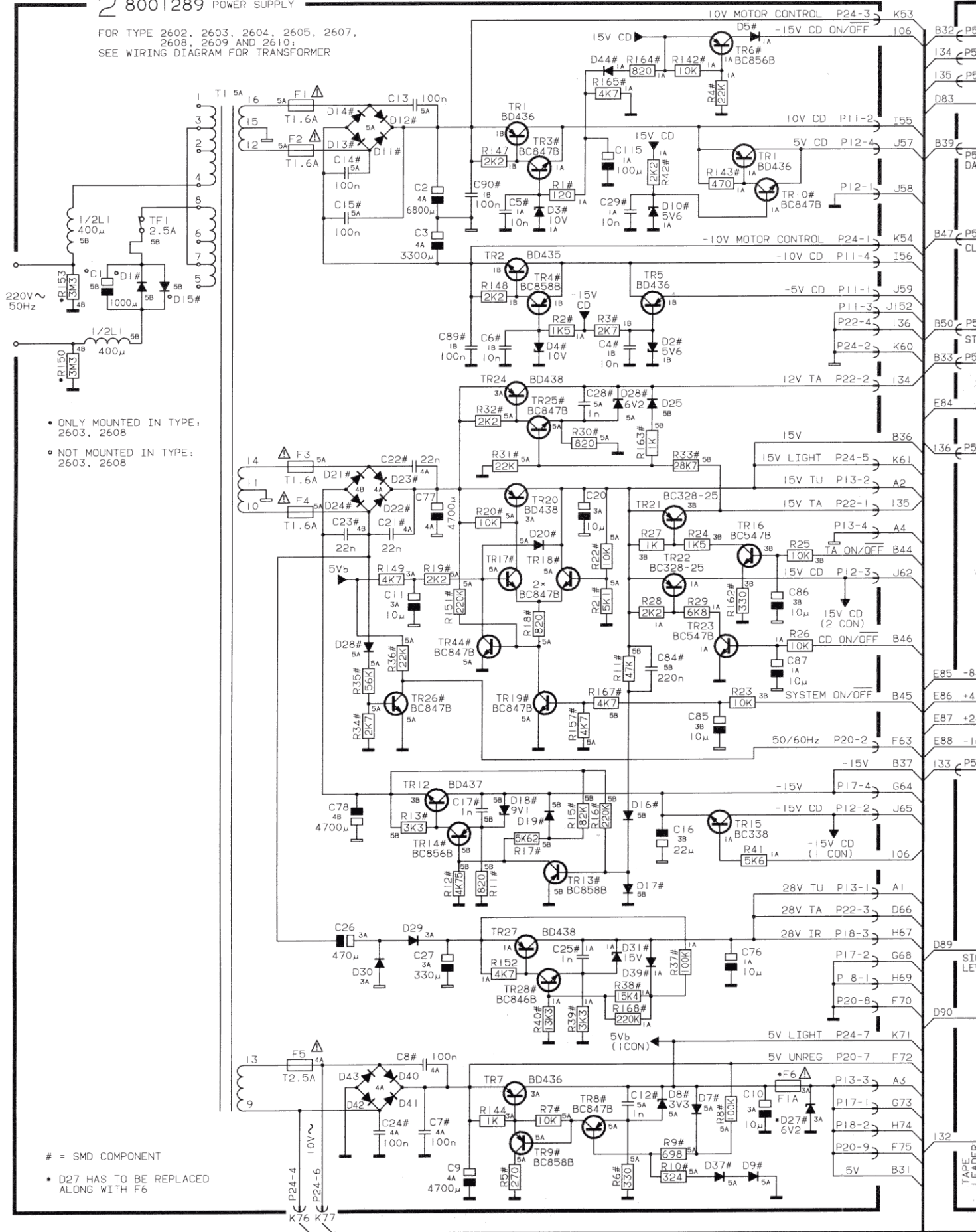


DIAGRAM C POWER SUPPLY, TAPE DATA CONTROL

2 8001289 POWER SUPPLY

FOR TYPE 2602, 2603, 2604, 2605, 2607,
2608, 2609 AND 2610;
SEE WIRING DIAGRAM FOR TRANSFORMER



- ONLY MOUNTED IN TYPE:
2603, 2608
- NOT MOUNTED IN TYPE:
2603, 2608

= SMD COMPONENT
• D27 HAS TO BE REPLACED
ALONG WITH F6

7 8004913
TAPE DATA CONTROL

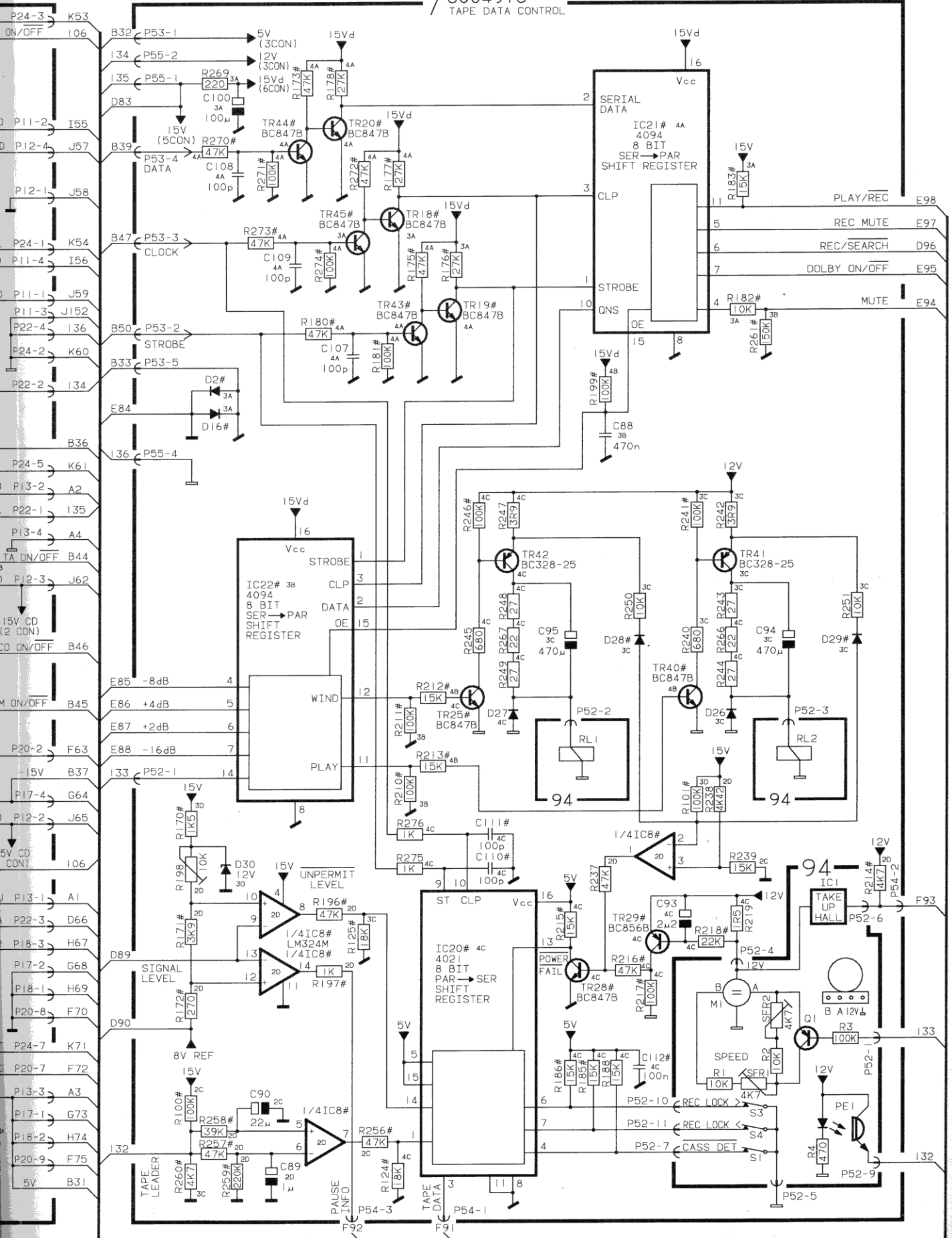
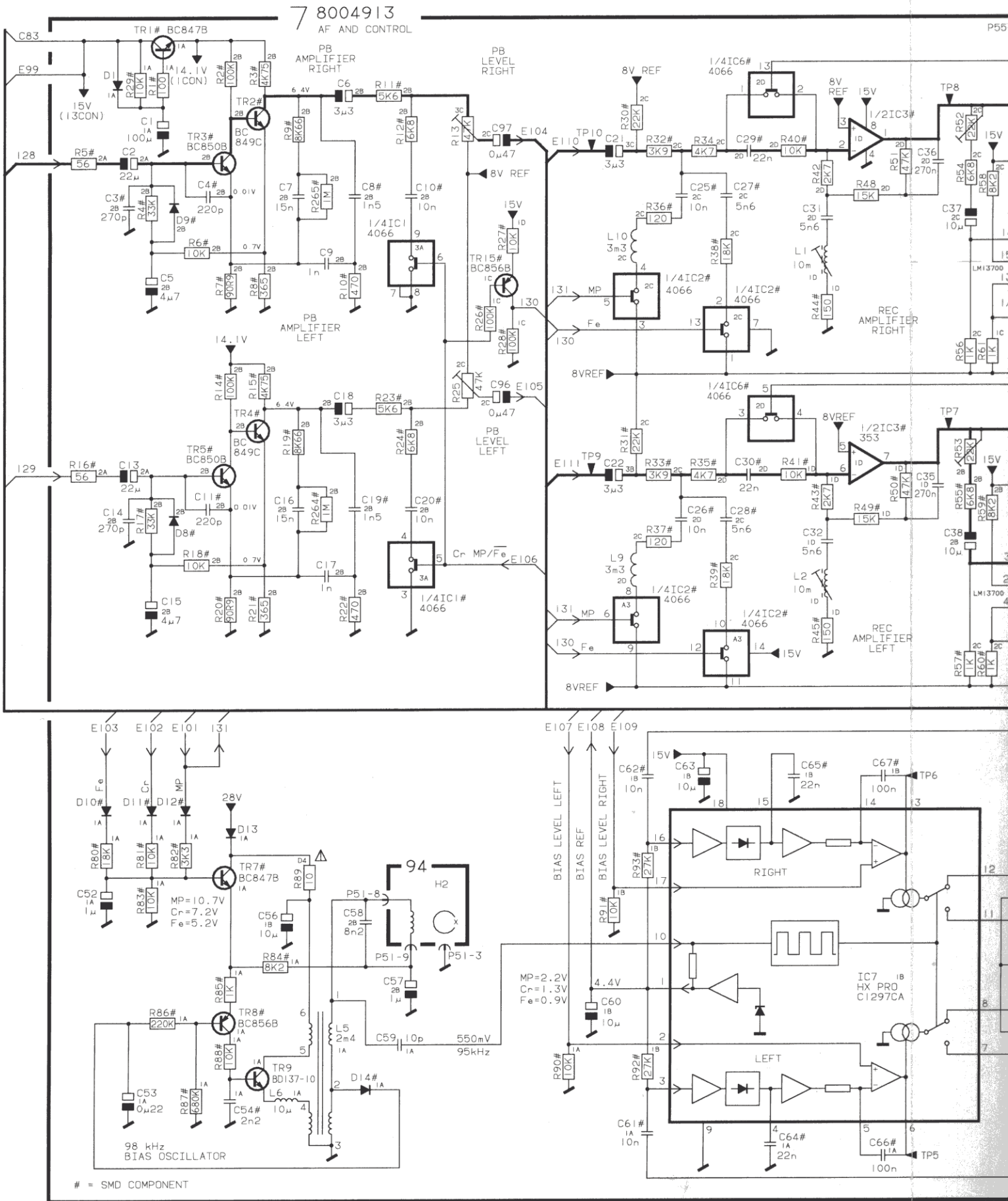


DIAGRAM D TAPE AF AND CONTROL



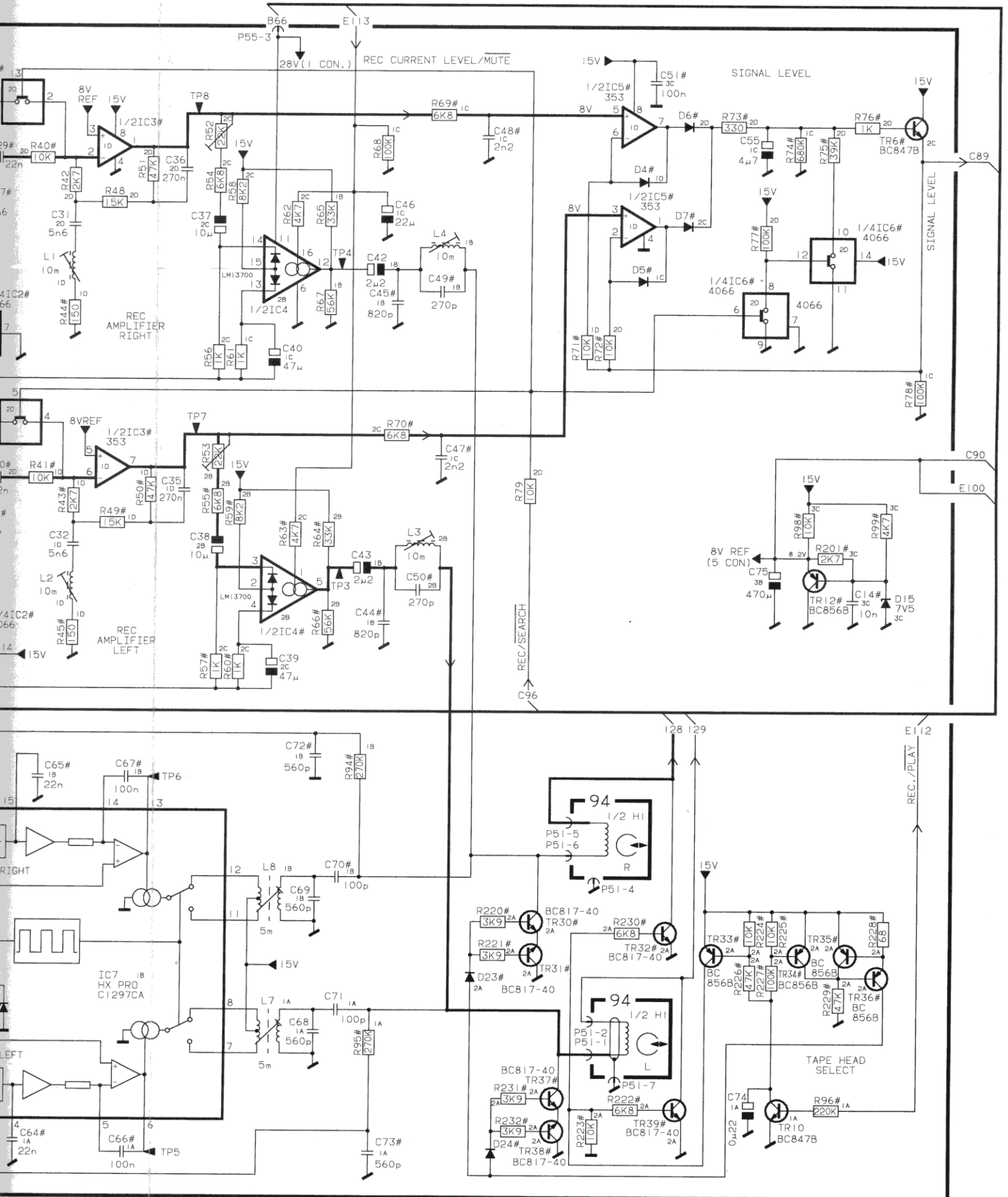
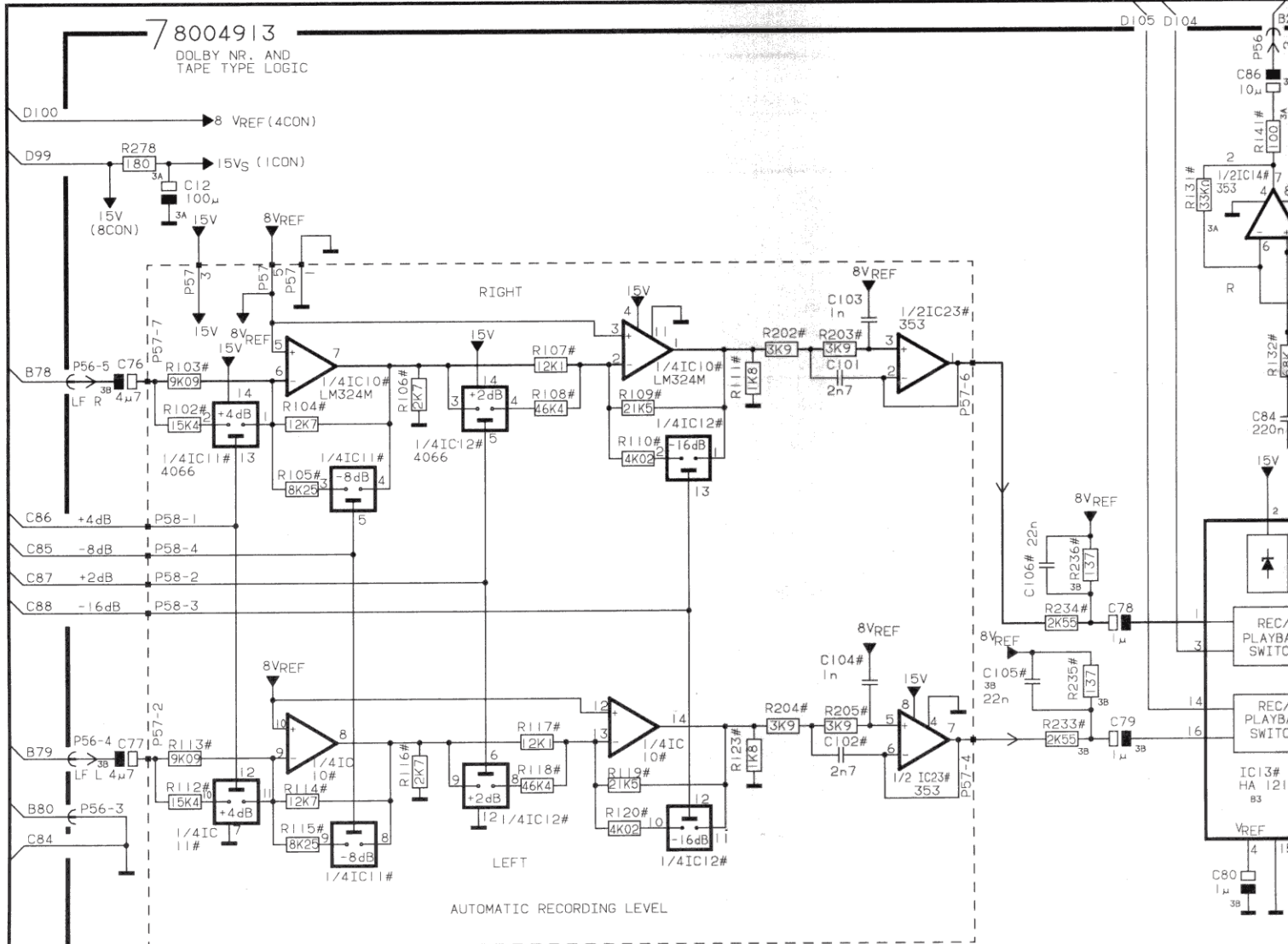
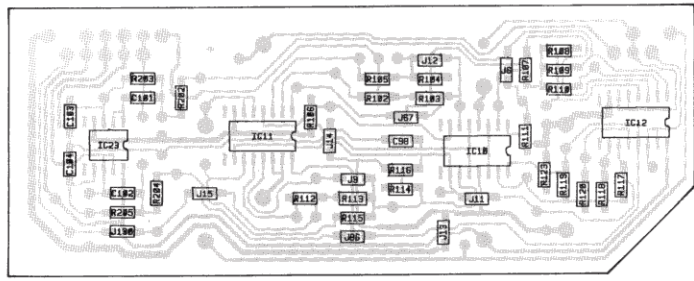


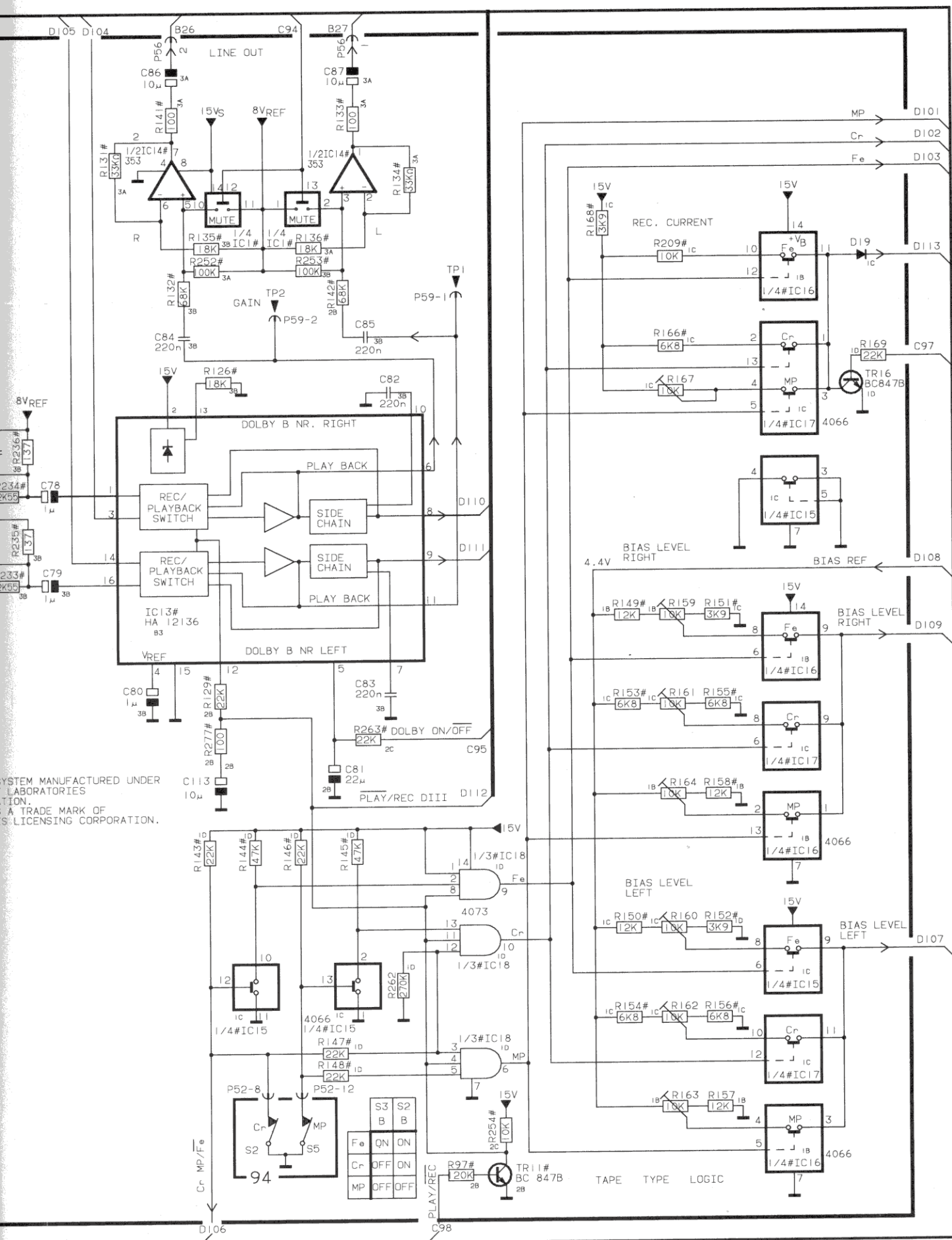
DIAGRAM E DOLBY NR AND TAPE TYPE LOGIC



NOISE REDUCTION SYSTEM MANUFACTURED UNDER LICENSE FROM DOLBY LABORATORIES LICENSING CORPORATION. THE WORD DOLBY IS A TRADE MARK OF DOLBY LABORATORIES LICENSING CORPORATION.



= SMD COMPONENT

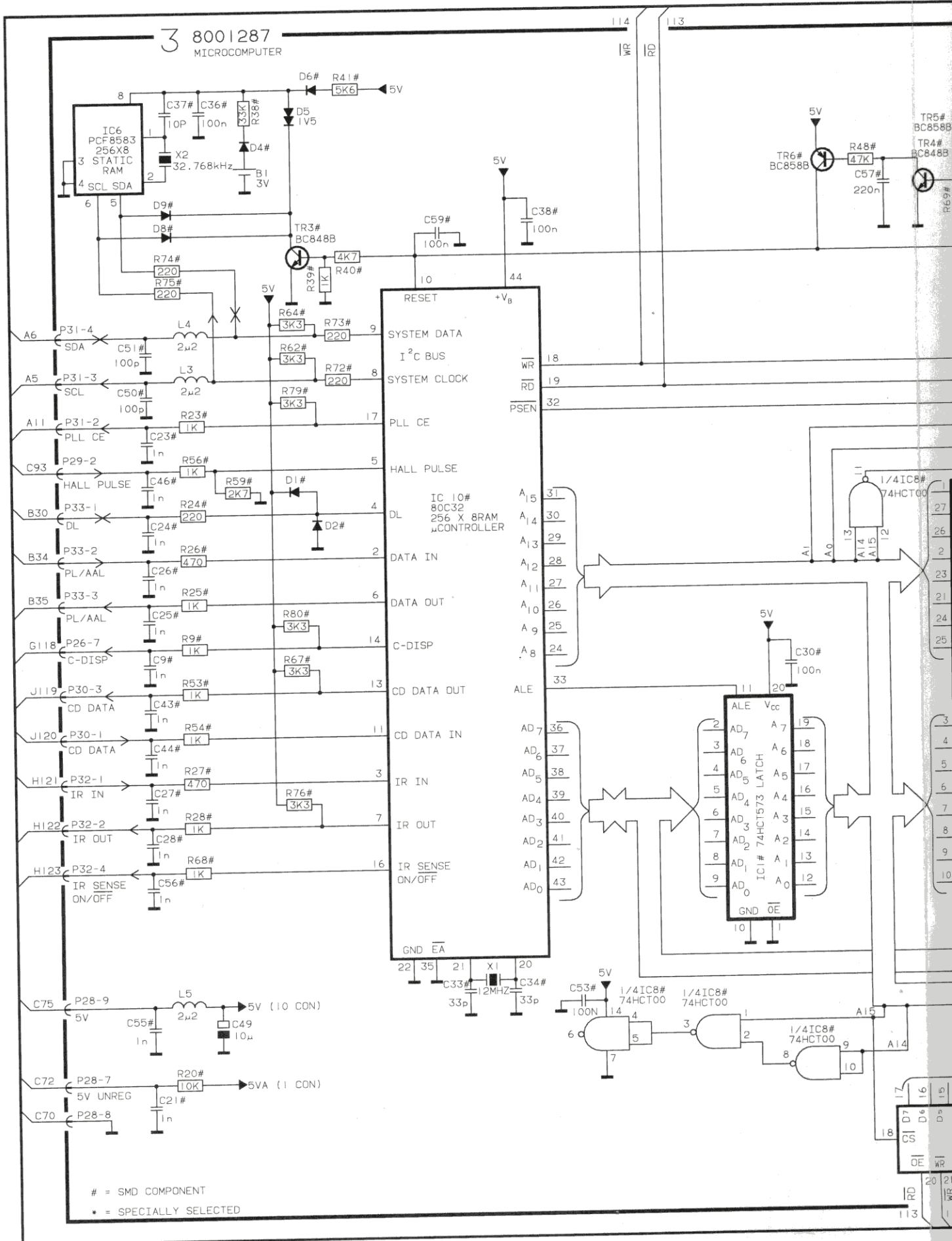


SYSTEM MANUFACTURED UNDER
LABORATORIES
TION.
A TRADE MARK OF
S. LICENSING CORPORATION.

S3	S2
B	B
Fe	ON
ON	ON
Cr	OFF
ON	ON
MP	OFF
OFF	OFF

TAPE TYPE LOGIC

DIAGRAM F MICROCOMPUTER



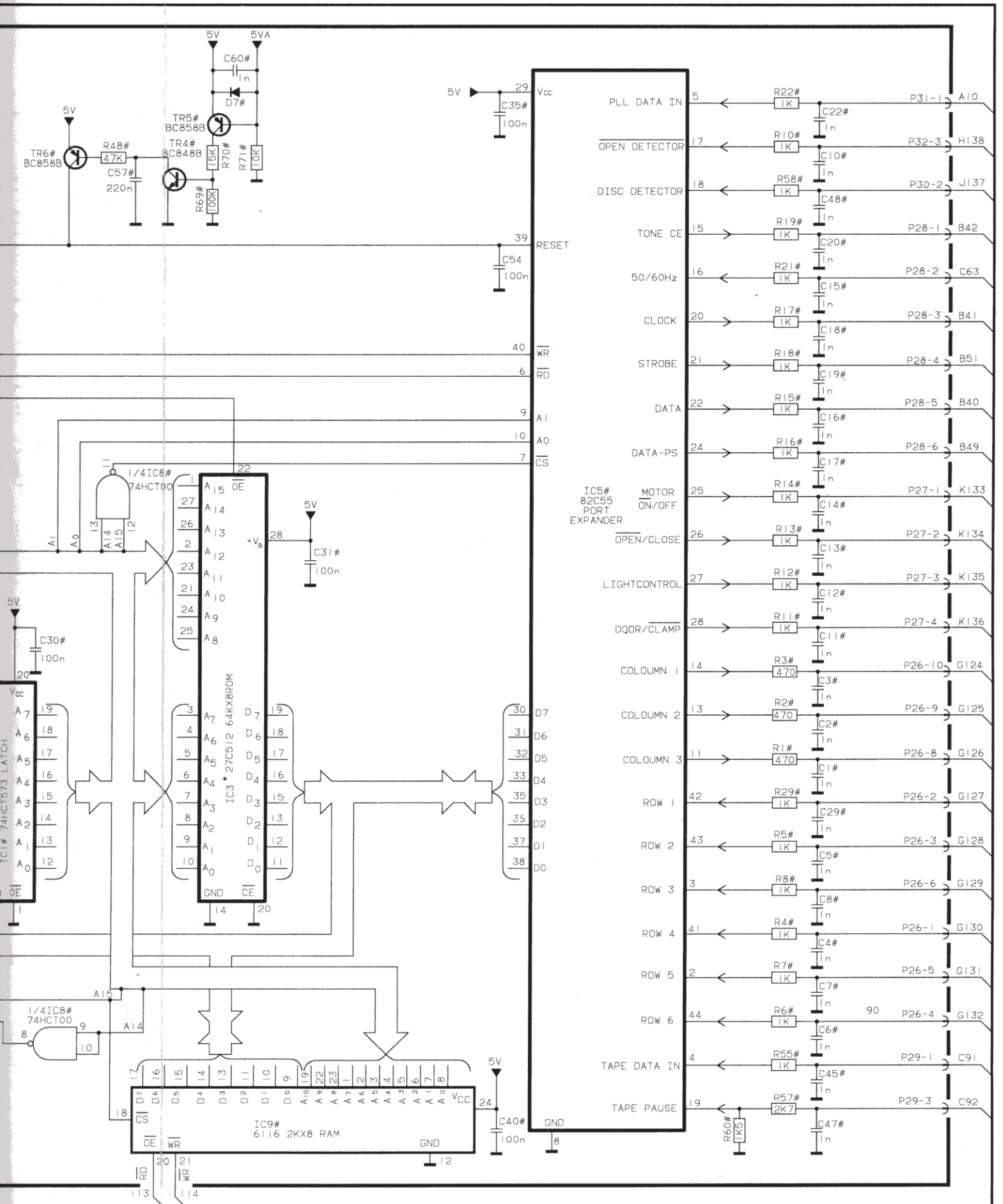
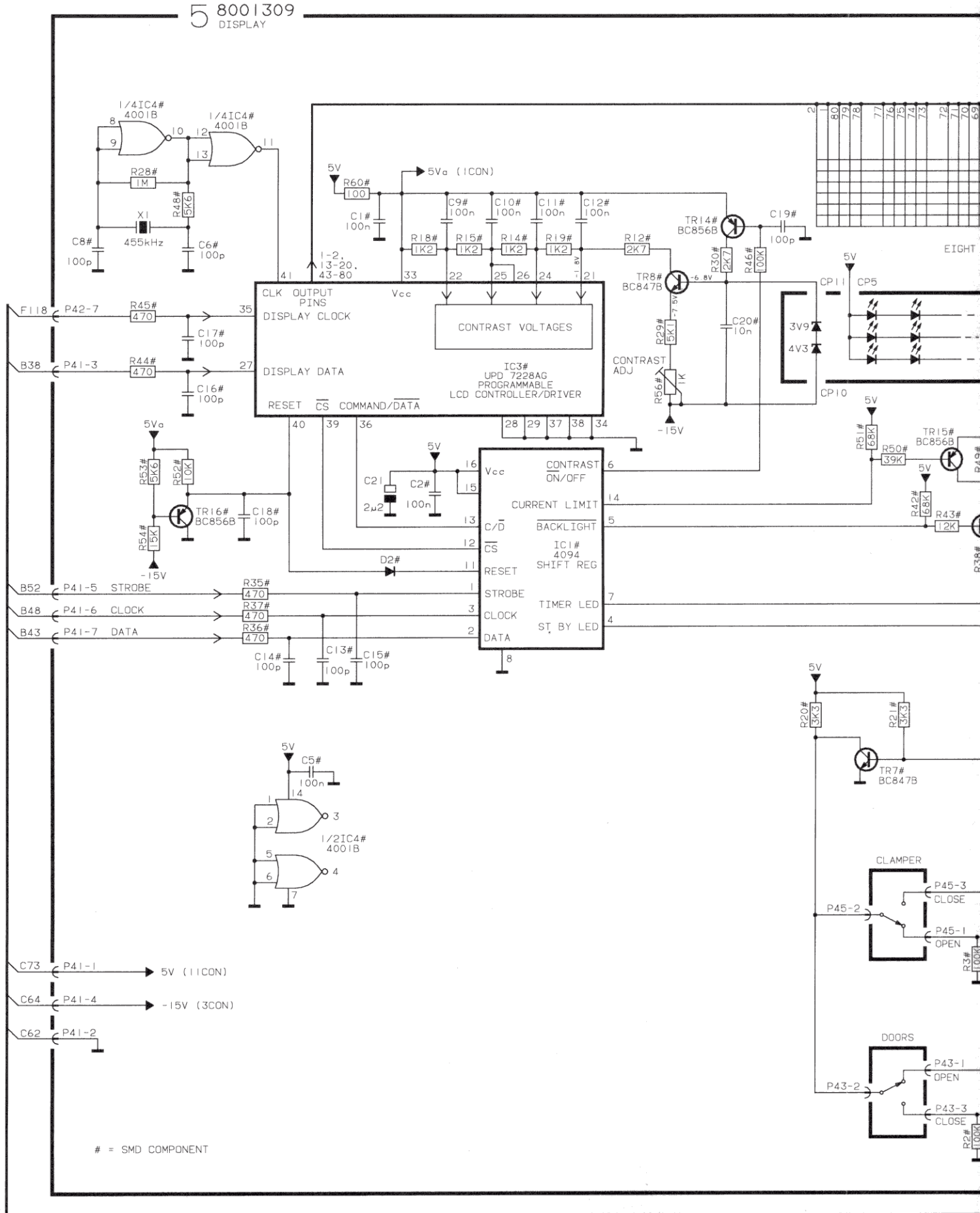


DIAGRAM G DISPLAY AND KEYBOARD



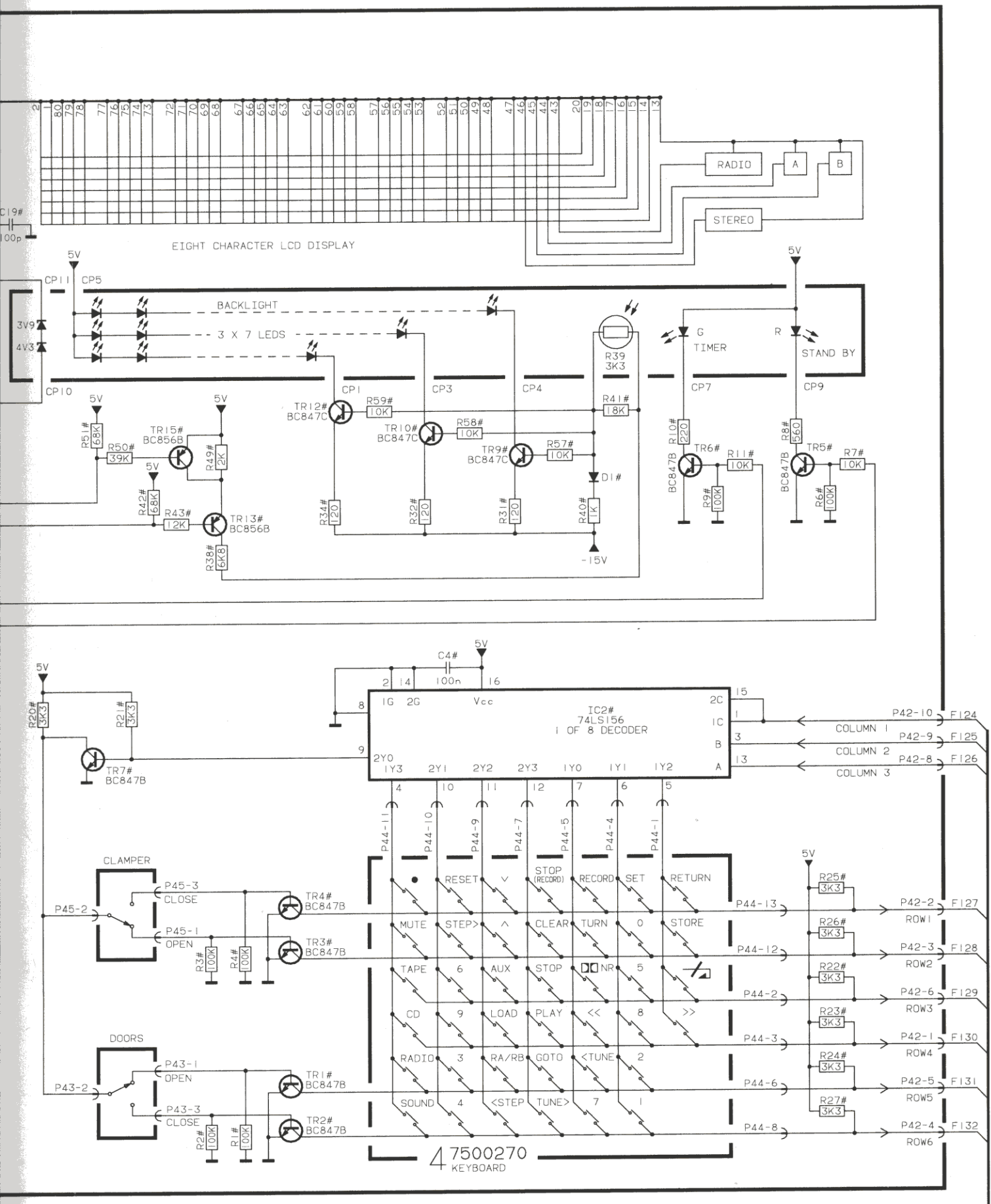
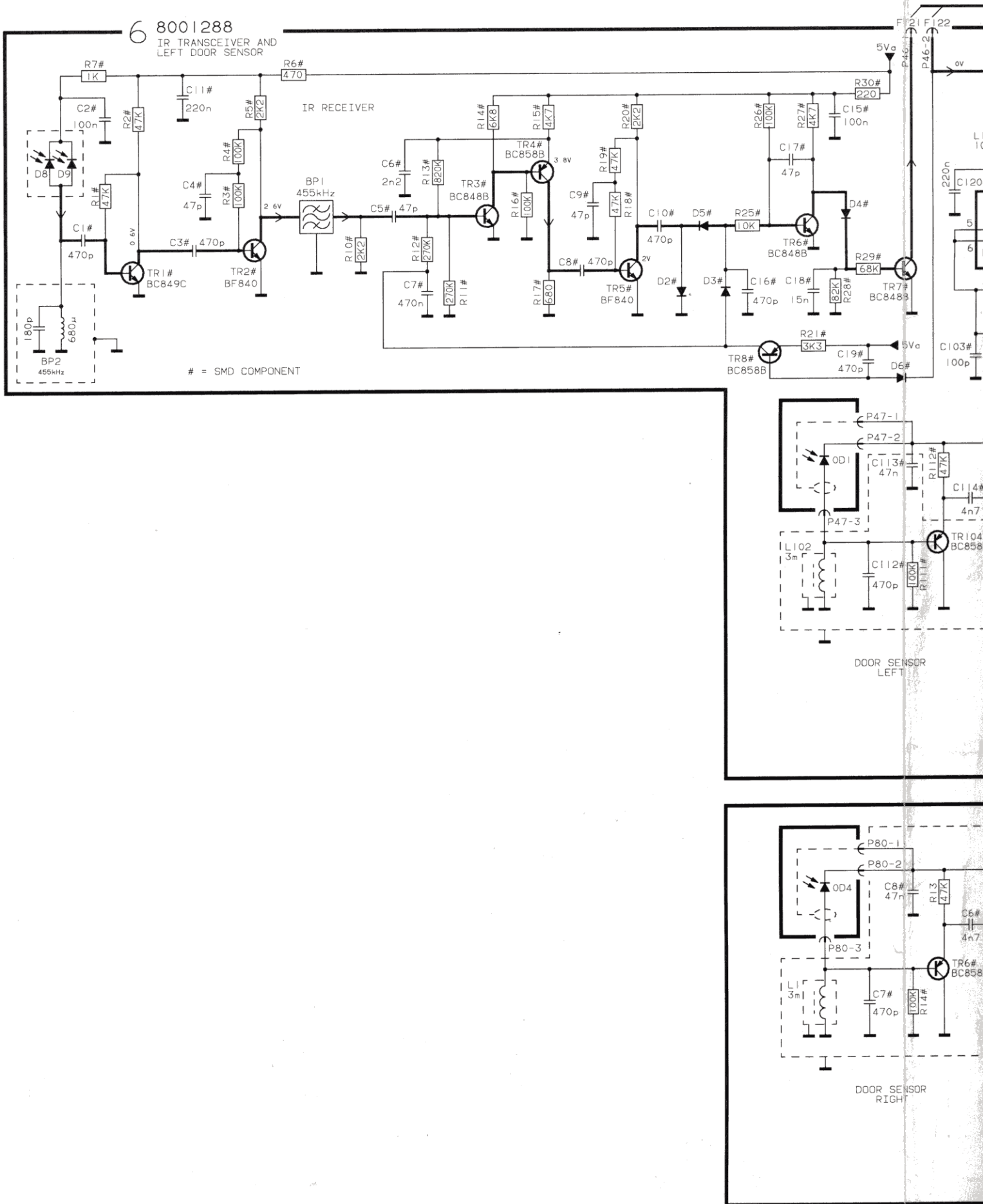


DIAGRAM H IR TRANSCEIVER AND DOOR SENSORS



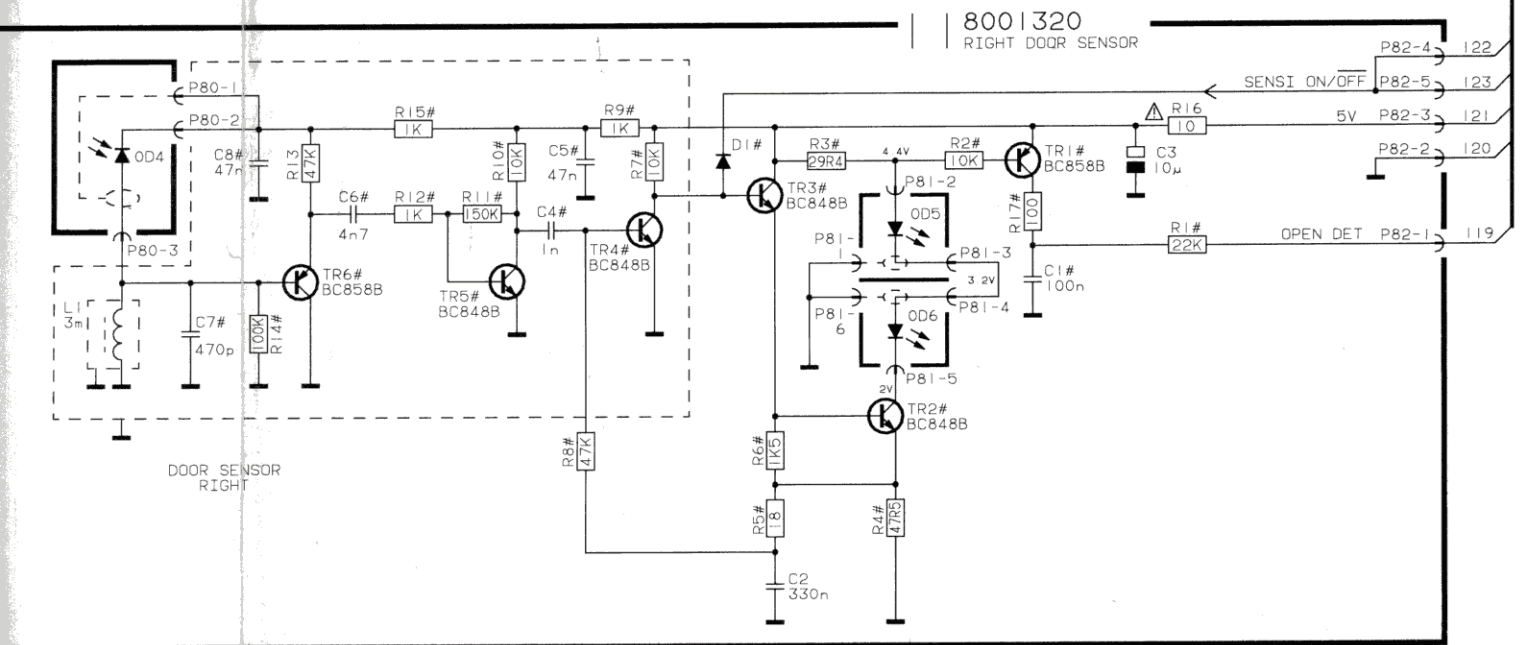
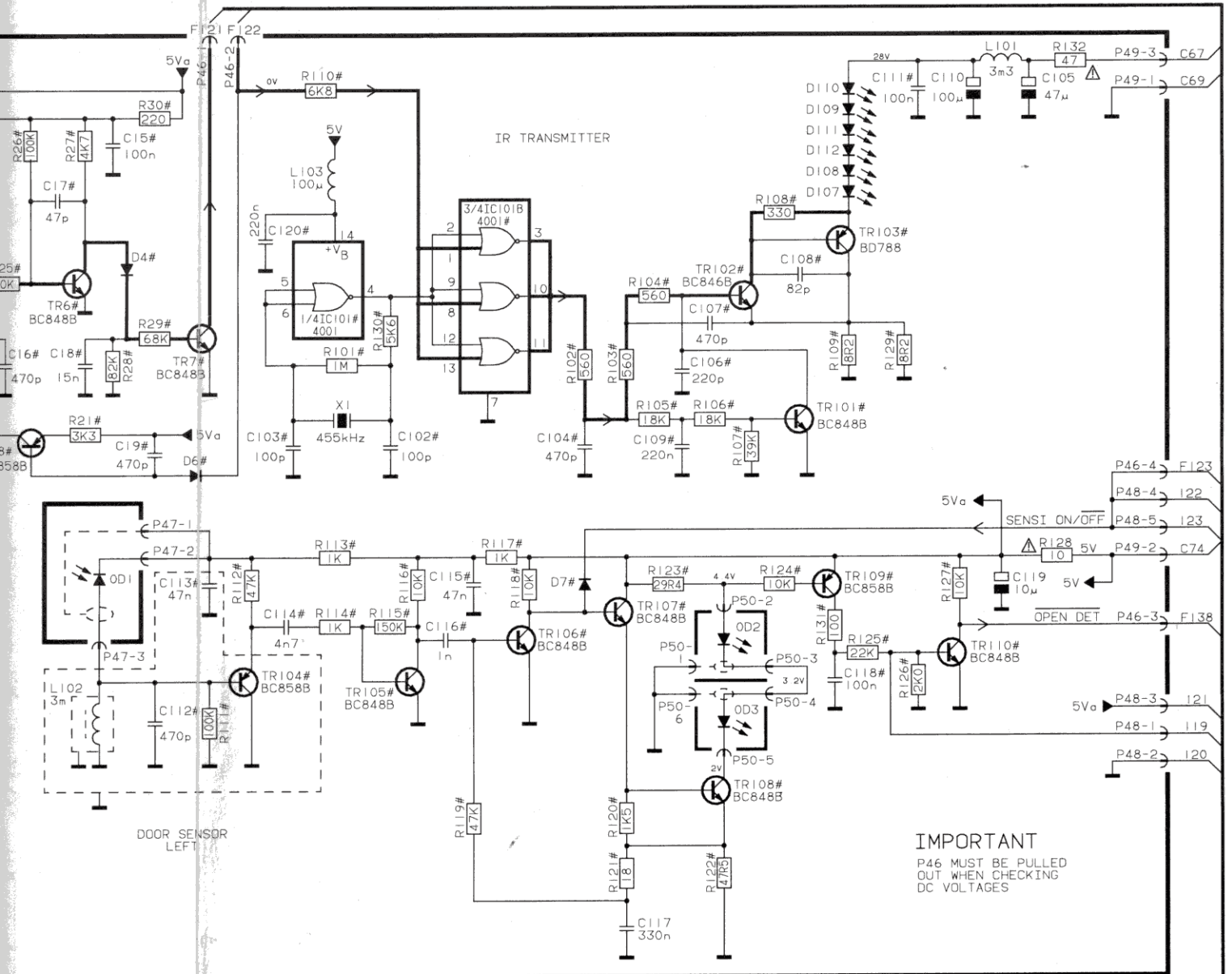
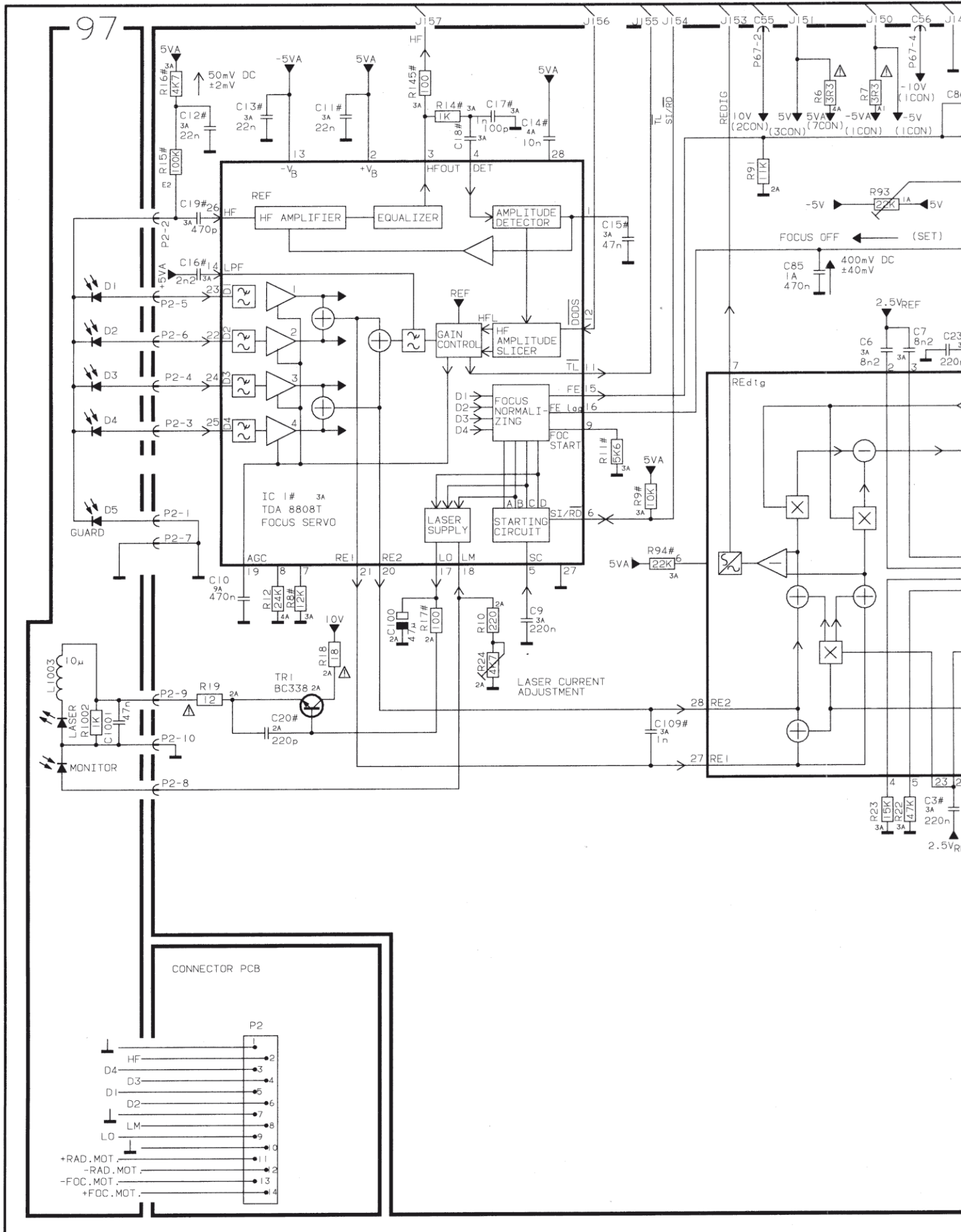


DIAGRAM I CD SERVO MOTOR SYSTEM AND DISC DETECTOR



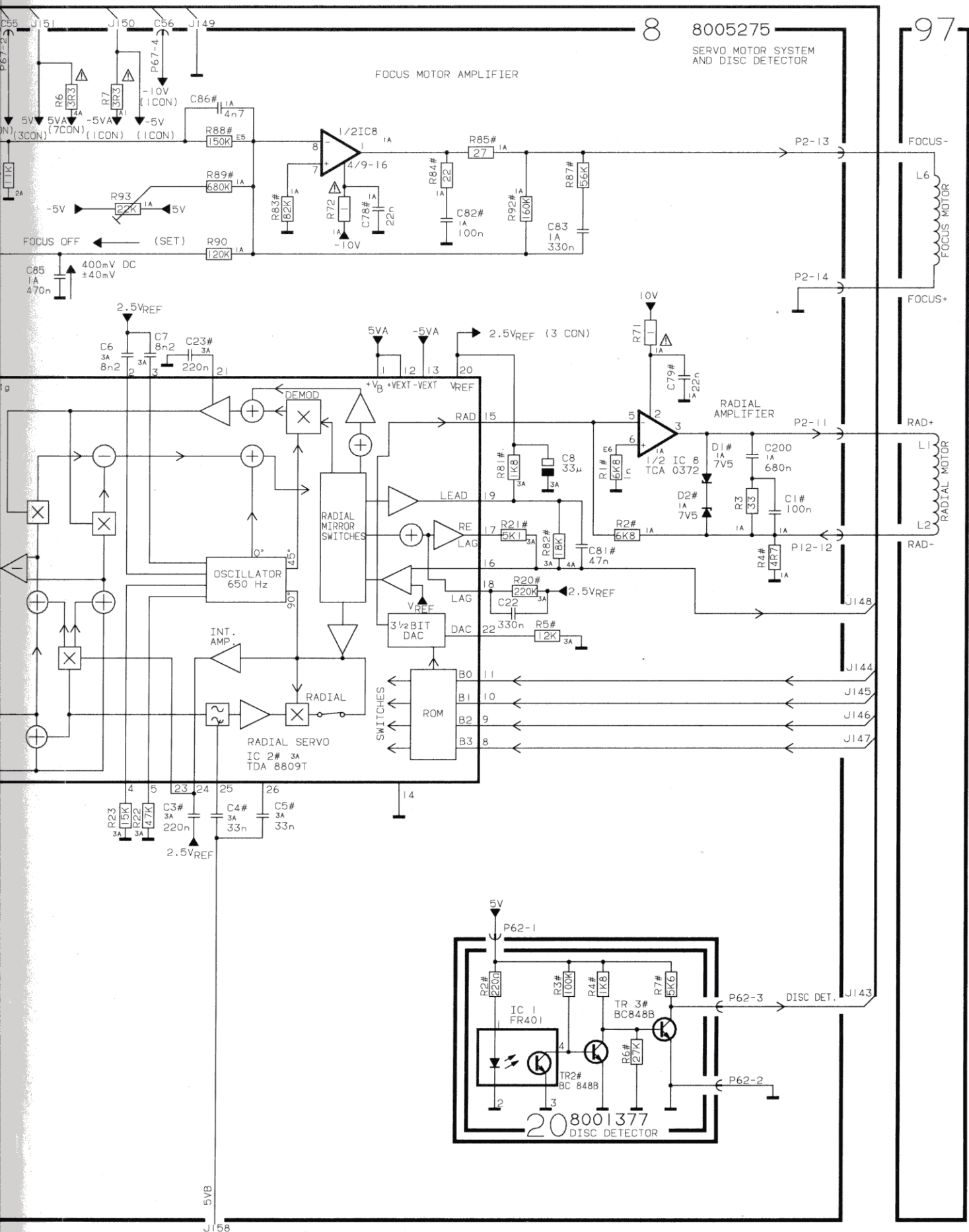
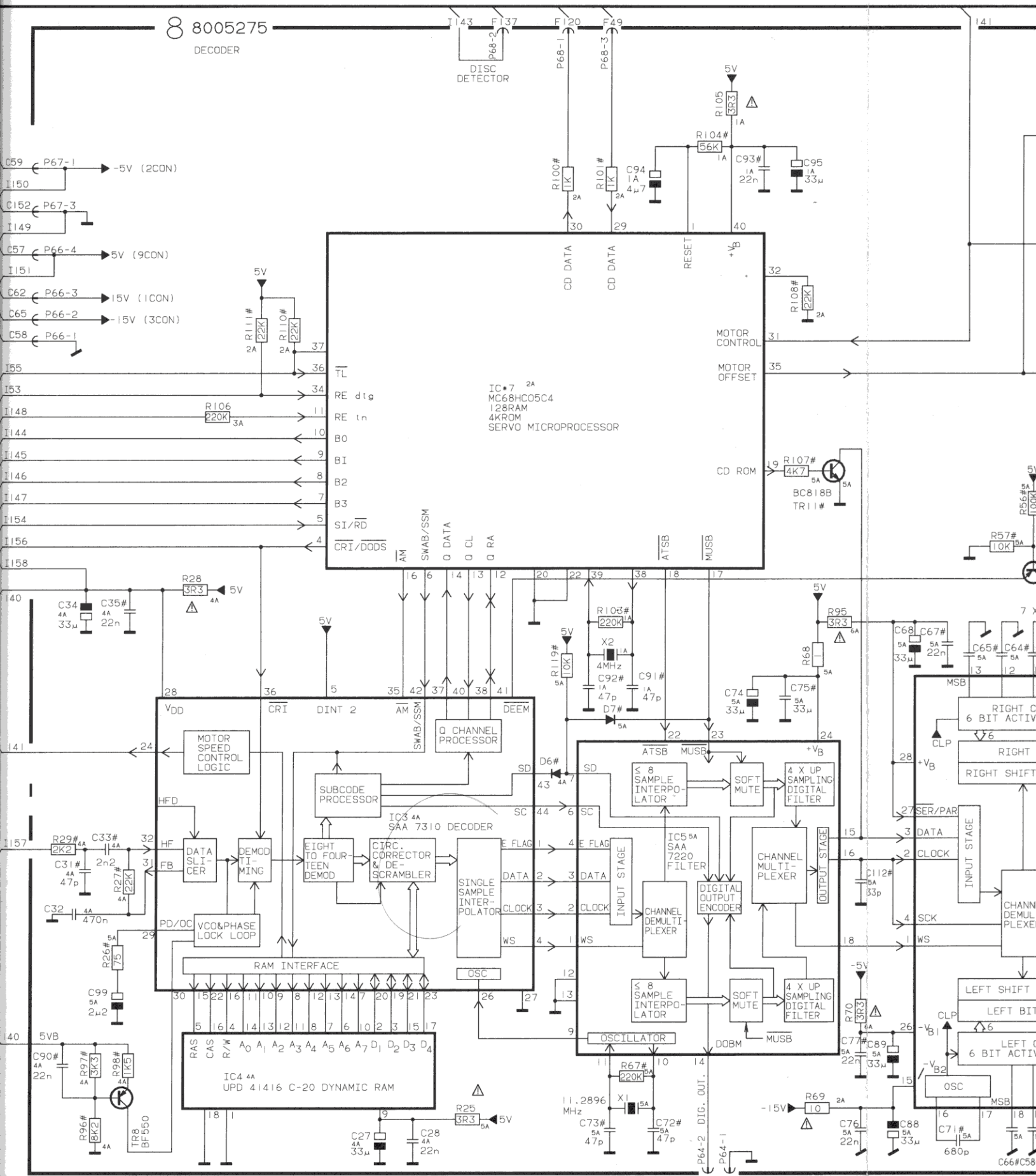


DIAGRAM J CD DECODER



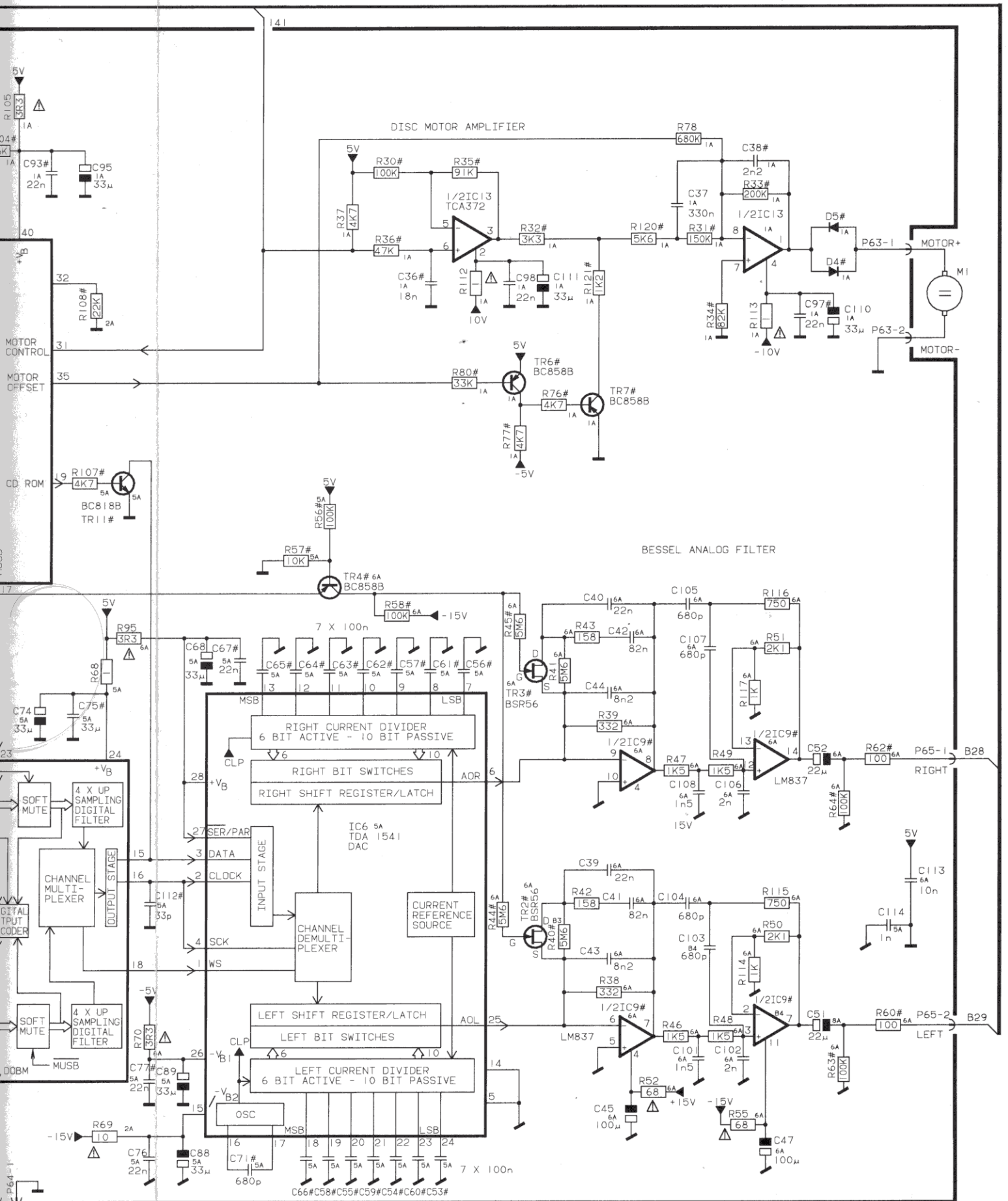
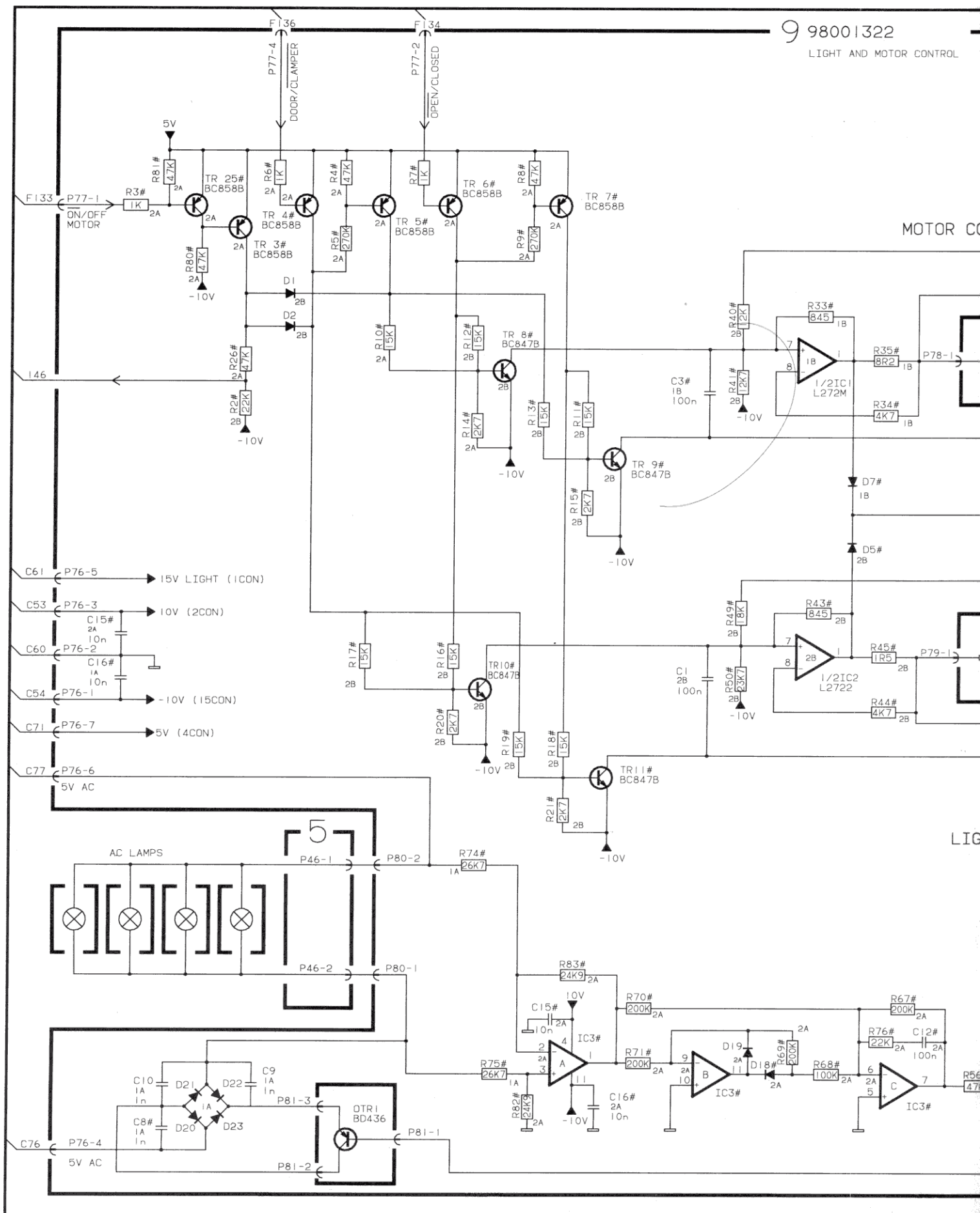
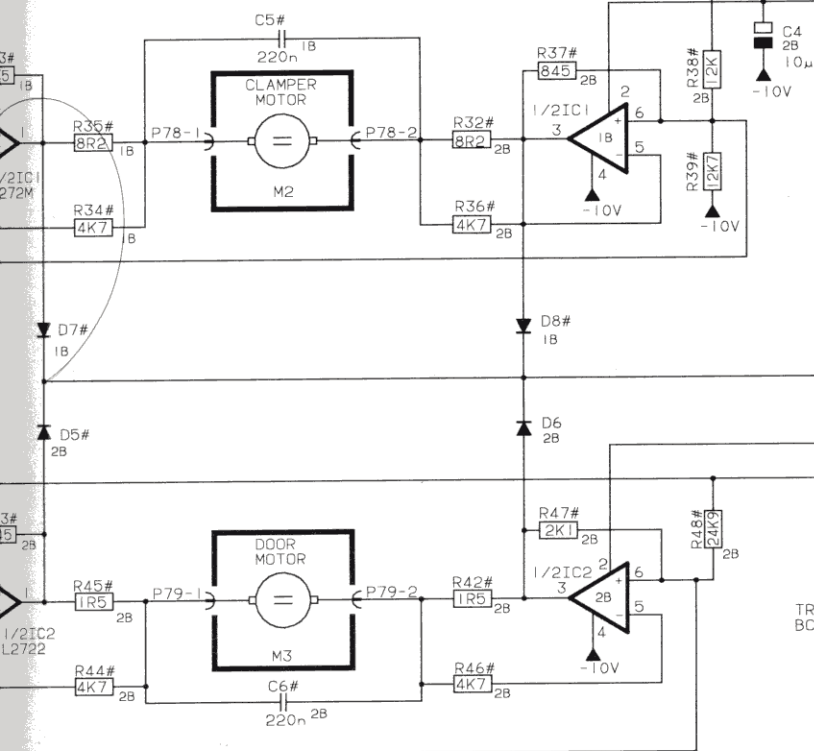


DIAGRAM K LIGHT AND MOTOR CONTROL

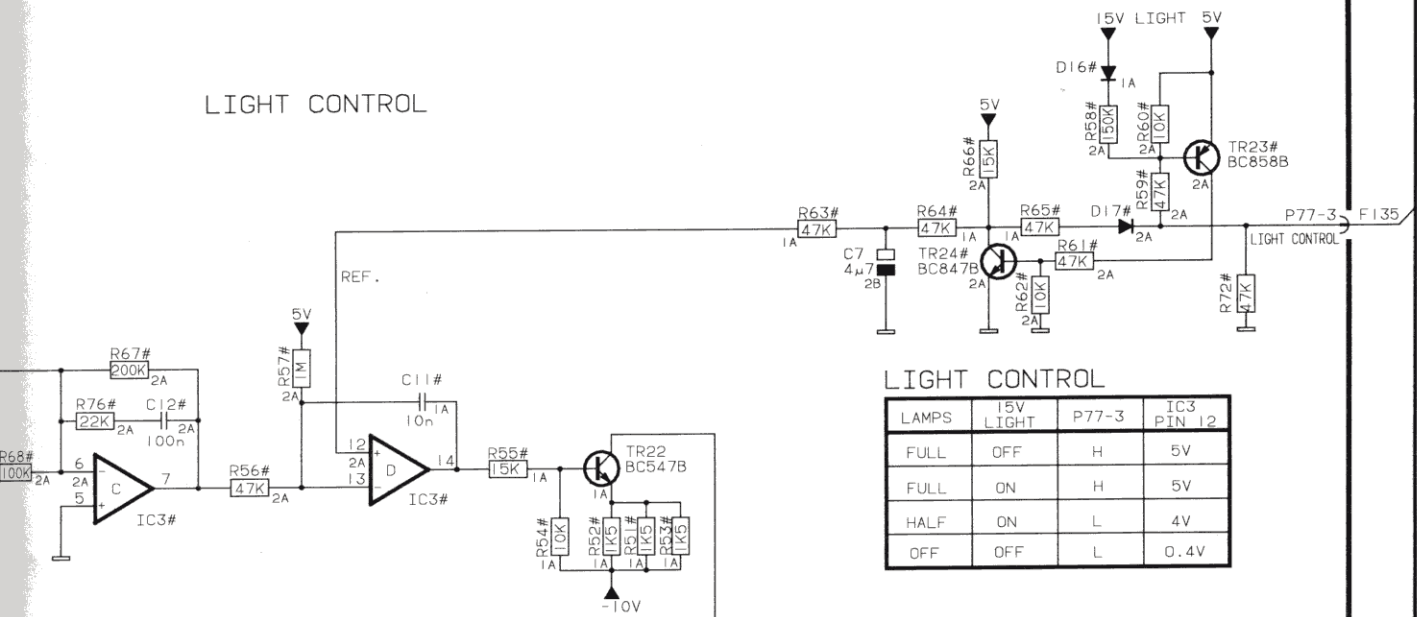


001322
LIGHT AND MOTOR CONTROL

MOTOR CONTROL

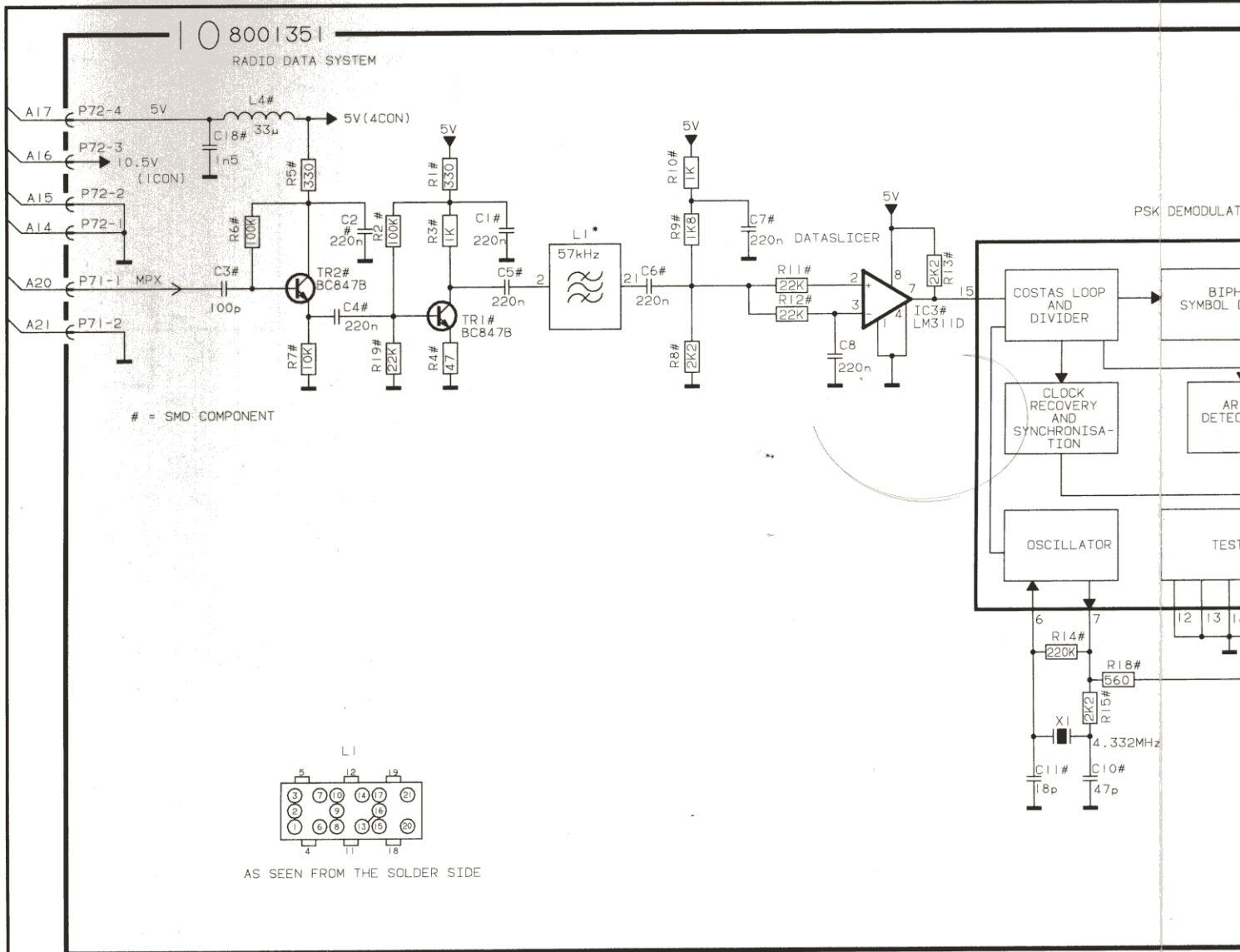


LIGHT CONTROL



SMD COMPONENT

DIAGRAM L RADIO DATA SYSTEM



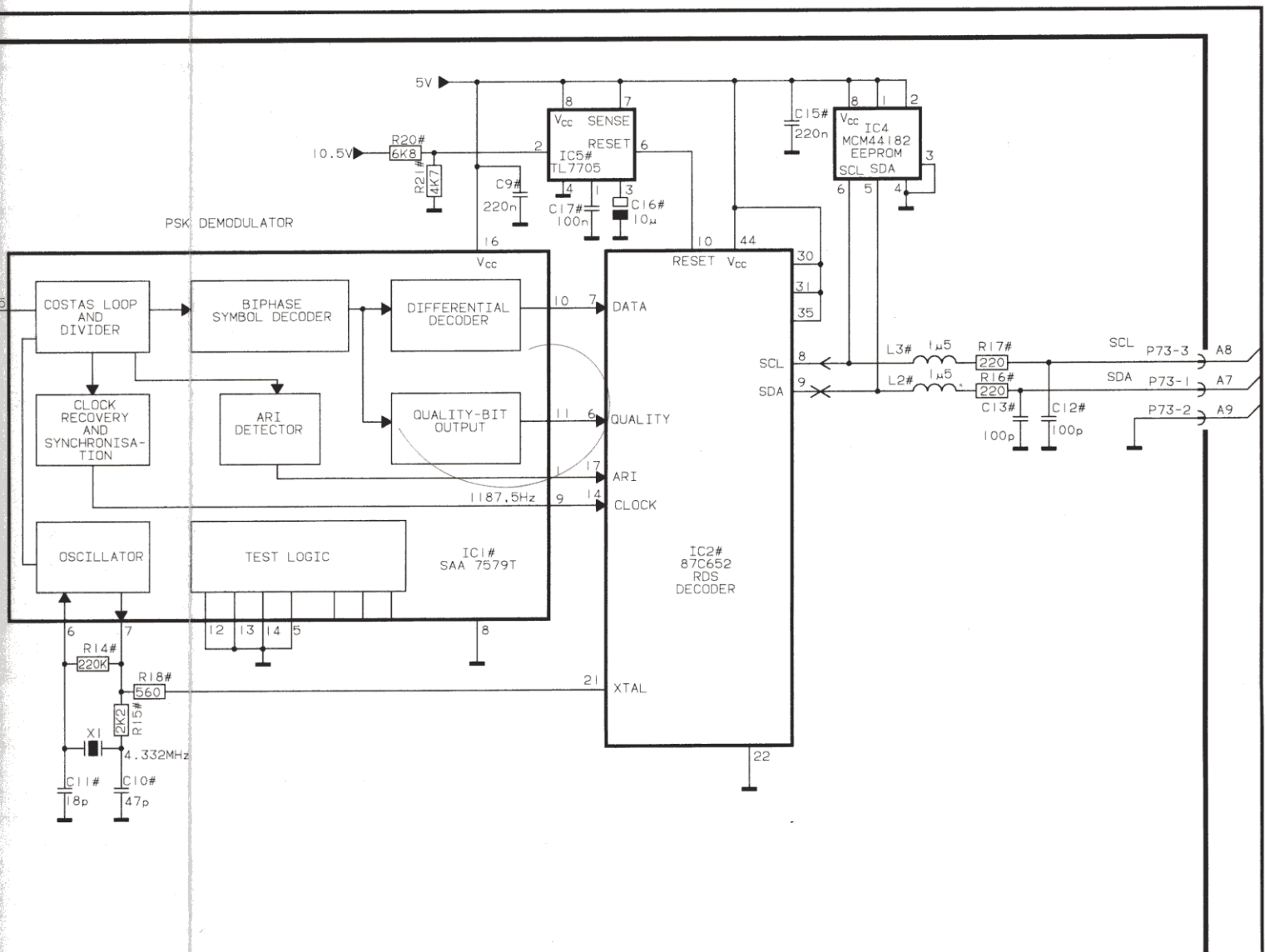


DIAGRAM M BEOLAB 2500 ACTIVE CROSSOVER NETWORK AND POWER AMPLIFIER

